

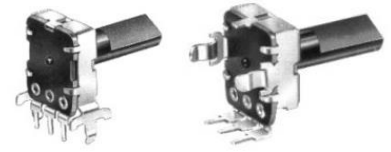
12mm Snap-In, Insulated Shaft Series

Application

- ✓ Audio, Home appliance, Precision Apparatus, Industrial, etc.

Feature

- ✓ Smooth Rotational Feeling.



■Specification

| | |
|---------------------------------------|---|
| Total Rotational Angle | 300 ± 5° |
| Maximum Operating Voltage | 150V AC |
| Insulation Resistance | 50MΩ Min. at 500V DC (50MΩ Min. at 250V DC for RV120DF) |
| Dielectric Strength | 500V AC, 1 minute (250V AC, 1 minute for RV120DF) |
| Rotational Torque | 20 ~ 150 gf.cm |
| Rotational Stop Strength of the Shaft | 4 kgf.cm |
| Rotation Life | 15,000 cycles |

■How to order

RV012AF – 20 – 20F – B50K– 0C

[Model](#)

[Shaft](#)

Number of Click

| Order Code | Description |
|------------|-------------------|
| Blank | No click |
| 0C | With center click |

Taper and Resistance Value

| Code | Taper | Resistance Value |
|-------|----------|------------------|
| A100K | Log/A | 100KΩ |
| B1M | Linear/B | 1MΩ |

Taper: A, B

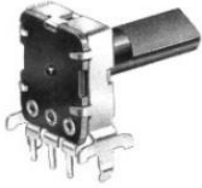
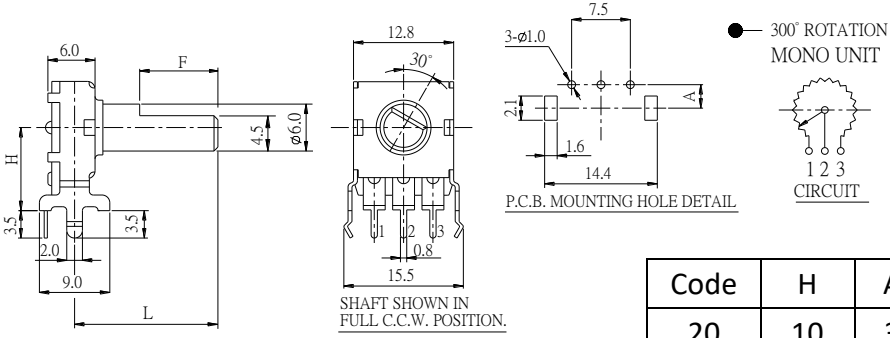
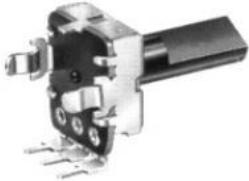
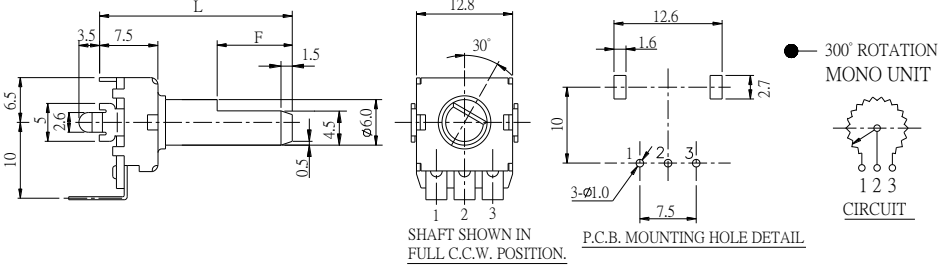
Resistance Value: 1KΩ to 500KΩ and 1MΩ

*Contact us for other requirements.

12mm Snap-In, Insulated Shaft Series

Model Description

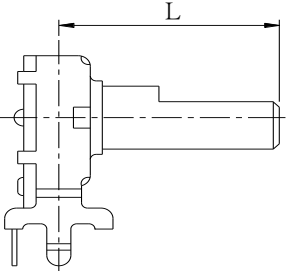
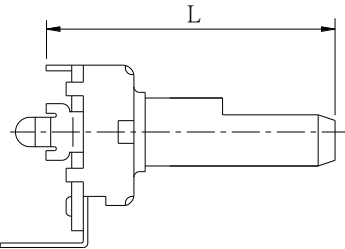
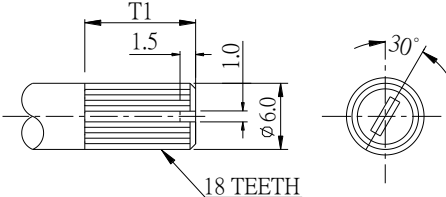
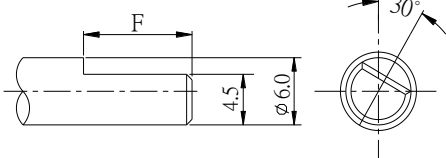
| Model | Number of Unit | Terminal Type | With Bracket |
|----------------------------|----------------|---------------|--------------|
| RV012AF-20 | Single Unit | Horizontal | With Bracket |
| RV012AF-40 | Single Unit | Vertical | With Bracket |

| Order Code | Outline Drawing | | | | | | |
|---|--|------|---|---|----|----|---|
| RV012AF-20  |  <p>SHAFT SHOWN IN FULL C.C.W. POSITION.</p> <table border="1"> <thead> <tr> <th>Code</th> <th>H</th> <th>A</th> </tr> </thead> <tbody> <tr> <td>20</td> <td>10</td> <td>3</td> </tr> </tbody> </table> | Code | H | A | 20 | 10 | 3 |
| Code | H | A | | | | | |
| 20 | 10 | 3 | | | | | |
| RV012AF-40  |  <p>SHAFT SHOWN IN FULL C.C.W. POSITION.</p> | | | | | | |

[Back to top](#)

12mm Snap-In, Insulated Shaft Series

■ Shaft Type and Dimensions

| Model | RV012AF | RV012AF | | | | | | | | | | | | | | | | | | | | | | | | | | | | | | | | | | | | | | | | |
|---------------|--|---|----|----|----|----|------|----|----|----|----|---|---|----|----|----|------|---|---|----|----|--|---|---|----|----|----|------|----|----|----|----|---|---|----|----|----|------|---|---|----|----|
| Terminal Type | Horizontal | Vertical | | | | | | | | | | | | | | | | | | | | | | | | | | | | | | | | | | | | | | | | |
| | 20 | 40 | | | | | | | | | | | | | | | | | | | | | | | | | | | | | | | | | | | | | | | | |
| |  |  | | | | | | | | | | | | | | | | | | | | | | | | | | | | | | | | | | | | | | | | |
| Dimensions | <table border="1"> <tr> <td>B</td> <td>L</td> <td>15</td> <td>20</td> <td>25</td> </tr> <tr> <td>Type</td> <td>T1</td> <td>10</td> <td>15</td> <td>15</td> </tr> </table> <table border="1"> <tr> <td>F</td> <td>L</td> <td>15</td> <td>20</td> <td>25</td> </tr> <tr> <td>Type</td> <td>F</td> <td>7</td> <td>12</td> <td>12</td> </tr> </table> | B | L | 15 | 20 | 25 | Type | T1 | 10 | 15 | 15 | F | L | 15 | 20 | 25 | Type | F | 7 | 12 | 12 | <table border="1"> <tr> <td>B</td> <td>L</td> <td>20</td> <td>25</td> <td>30</td> </tr> <tr> <td>Type</td> <td>T1</td> <td>10</td> <td>15</td> <td>15</td> </tr> </table> <table border="1"> <tr> <td>F</td> <td>L</td> <td>20</td> <td>25</td> <td>30</td> </tr> <tr> <td>Type</td> <td>F</td> <td>7</td> <td>12</td> <td>12</td> </tr> </table> | B | L | 20 | 25 | 30 | Type | T1 | 10 | 15 | 15 | F | L | 20 | 25 | 30 | Type | F | 7 | 12 | 12 |
| | B | L | 15 | 20 | 25 | | | | | | | | | | | | | | | | | | | | | | | | | | | | | | | | | | | | | |
| Type | T1 | 10 | 15 | 15 | | | | | | | | | | | | | | | | | | | | | | | | | | | | | | | | | | | | | | |
| F | L | 15 | 20 | 25 | | | | | | | | | | | | | | | | | | | | | | | | | | | | | | | | | | | | | | |
| Type | F | 7 | 12 | 12 | | | | | | | | | | | | | | | | | | | | | | | | | | | | | | | | | | | | | | |
| B | L | 20 | 25 | 30 | | | | | | | | | | | | | | | | | | | | | | | | | | | | | | | | | | | | | | |
| Type | T1 | 10 | 15 | 15 | | | | | | | | | | | | | | | | | | | | | | | | | | | | | | | | | | | | | | |
| F | L | 20 | 25 | 30 | | | | | | | | | | | | | | | | | | | | | | | | | | | | | | | | | | | | | | |
| Type | F | 7 | 12 | 12 | | | | | | | | | | | | | | | | | | | | | | | | | | | | | | | | | | | | | | |
| Shaft Type | <p>B Type</p>  <p>F Type</p>  | | | | | | | | | | | | | | | | | | | | | | | | | | | | | | | | | | | | | | | | | |

Design and specifications presented here are for the standard parts only. Please kindly contact us for your special requests and ask for the current technical specifications before purchase and/or use.

[Back to top](#)