

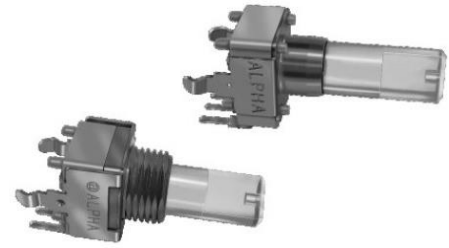
9mm Rotary Type, Snap-In, Transparent Shaft

Application

- ✓ TV/Video, Audio, Musical instruments

Feature

- ✓ Light pipe compatible with SMD type LED



■Specification

Total Rotational Angle	300±5°
Maximum Operating Voltage	50V AC / 20V DC
Insulation Resistance	100MΩ min at DC250V
Dielectric Strength	AC250V for 1 minute
Rotational Torque	10-100 gf.cm
Click Torque	20-120 gf.cm
Rotational Stop Strength of the Shaft	3 kgf.cm min
Push/Pull Strength of the Shaft	5kgf for 3 sec
Rotation Life	With click: 5,000 cycles, without click: 10,000 cycles

■How to order

RV09BF-40 - 25FL - B10K - 007

[Model](#)

[Shaft Type](#)

Taper and Resistance Value

Order Code	Taper	Resistance Value
A100K	Log/A	100KΩ
B1M	Linear/B	1MΩ
C500K	Rev-log/C	500KΩ

Taper: A, B and C

Resistance Value: 1KΩ to 500KΩ and 1MΩ

*Contact us for other requirements.


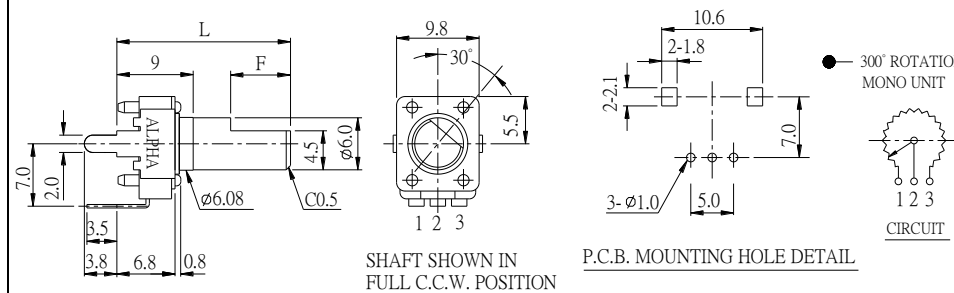

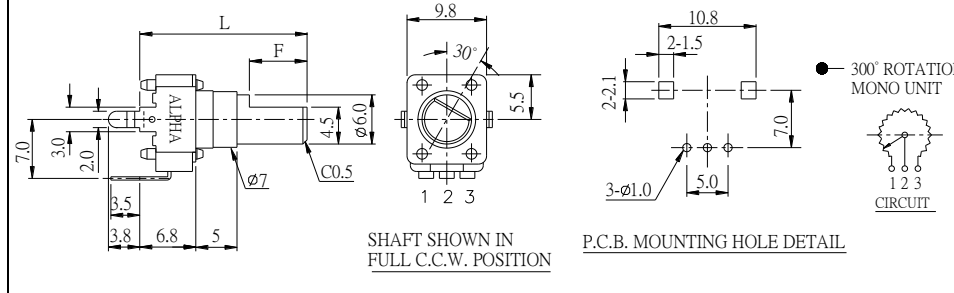

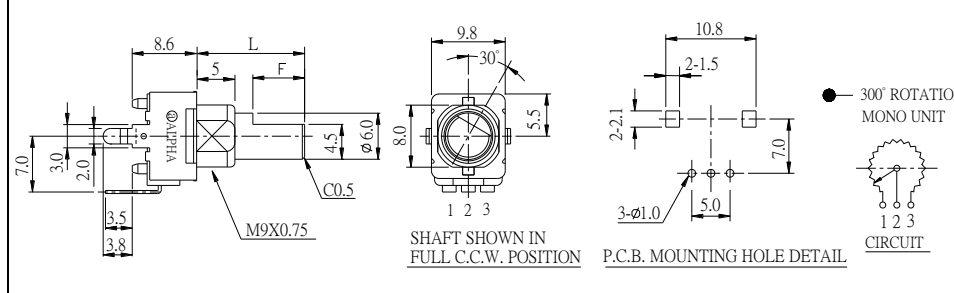
Click

Order Code	Description
007	No click
0C7	With center click

9mm Rotary Type, Snap-In, Transparent Shaft

Model Description

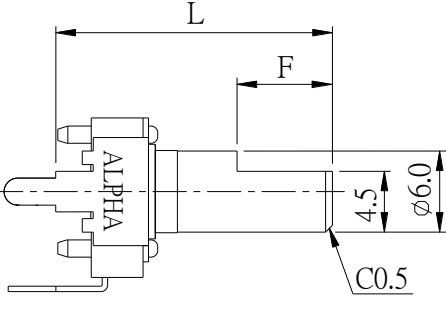
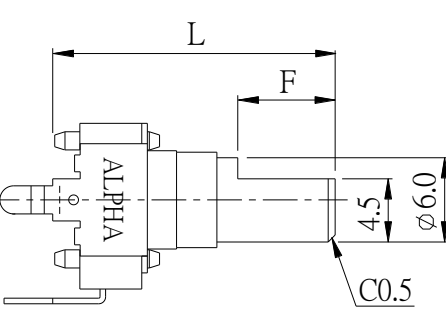
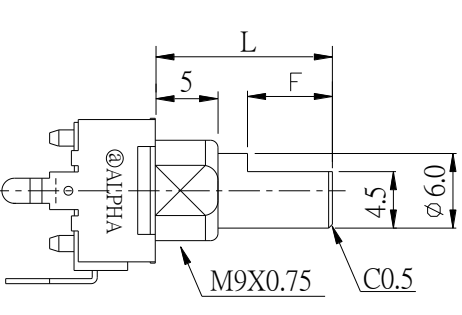
Model	Number of Unit	Terminal Type	With Sleeve or Bushing	Rotational Angle
RV09BF-40	Single unit	Vertical	N/A	300±5°
RV09BCF-40	Single unit	Vertical	Sleeve	300±5°
RV09BF-40E1	Single unit	Vertical	Metal bushing	300±5°

Order Code	Outline Drawing
RV09BF-40 (Transparent Shaft) 	 <p>SHAFT SHOWN IN FULL C.C.W. POSITION</p> <p>P.C.B. MOUNTING HOLE DETAIL</p>
RV09BCF-40 (Transparent Shaft) 	 <p>SHAFT SHOWN IN FULL C.C.W. POSITION</p> <p>P.C.B. MOUNTING HOLE DETAIL</p>
RV09BF-40E1 (Transparent Shaft) 	 <p>SHAFT SHOWN IN FULL C.C.W. POSITION</p> <p>P.C.B. MOUNTING HOLE DETAIL</p>

[Back to top](#)

9mm Rotary Type, Snap-In, Transparent Shaft

■ FL Type Plastic Shaft

RV09BF-40-25FL	RV09BCF-40-25FL	RV09BF-40E1-165FL												
														
<table border="1" data-bbox="395 813 715 958"> <thead> <tr> <th>Order Code</th> <th>25FL</th> </tr> </thead> <tbody> <tr> <td>L</td> <td>25</td> </tr> <tr> <td>T</td> <td>7</td> </tr> </tbody> </table>		Order Code	25FL	L	25	T	7	<table border="1" data-bbox="1114 813 1449 958"> <thead> <tr> <th>Order Code</th> <th>165FL</th> </tr> </thead> <tbody> <tr> <td>L</td> <td>16.5</td> </tr> <tr> <td>T</td> <td>7</td> </tr> </tbody> </table>	Order Code	165FL	L	16.5	T	7
Order Code	25FL													
L	25													
T	7													
Order Code	165FL													
L	16.5													
T	7													

Design and specifications presented here are for the standard parts only. Please kindly contact us for your special requests and ask for the current technical specifications before purchase and/or use.

[Back to top](#)