

## Low-Profile Slide Series

### Application

- ✓ Audio, Home appliance, Lighting control, etc.

### Feature

- ✓ Smooth slide feeling.



### ■Specification

Operating Temperature Range	-10 °C~70°C
Standard Resistance Tolerance	±20%
Insulation Resistance	100 MΩ Min. at DC250V
Dielectric Strength	1 minute at 300V AC
Travel Distance	100mm
Operating Force	30~250 gf.cm
Sliding Life	15,000 cycles

### ■How to order

RA0044WF-20 – 15C1 – B10K

Model

Lever Type

Taper and Resistance Value

Ex:

Order Code	Taper	Resistance Value
A100K	Log/A	100KΩ
B1M	Linear/B	1MΩ

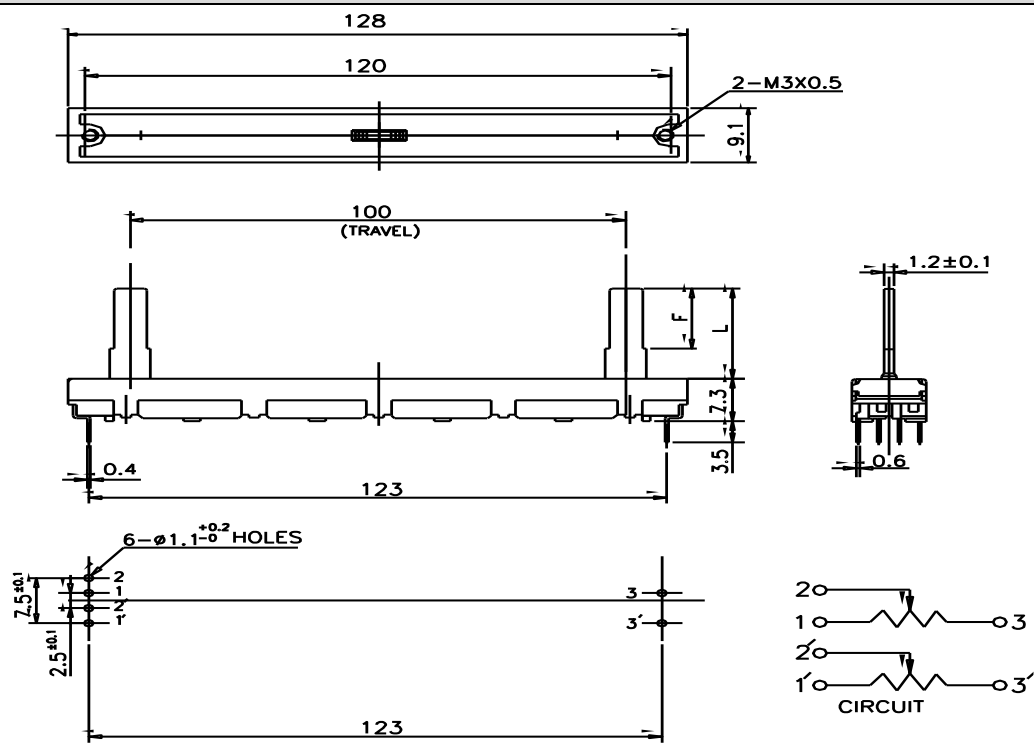
Taper: A and B

Resistance Value: 1KΩ to 500KΩ and 1MΩ

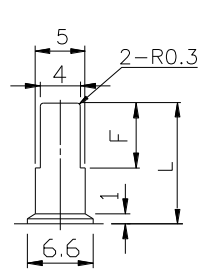
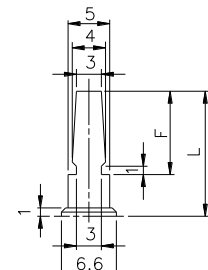
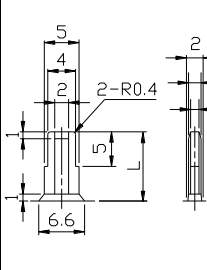
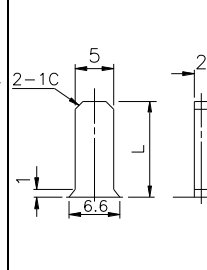
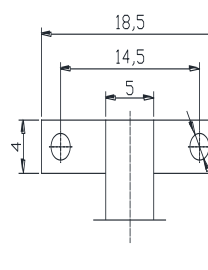
\*Contact us for other requirements.

## Low-Profile Slide Series

Model	Number of Unit	Travel Distance	Type of Terminal	Tap	Mounting Height
<a href="#">RA0044WF-20</a>	Single units	100mm	PC board (vertical)	N/A	7.3mm

Order Code	Outline Drawing
RA0044WF-20	 <p style="text-align: center;"><b>P.C.B. MOUNTING HOLE DETAIL</b></p>

### ■ Lever Type

Model	RA0044WF Series												
Lever Type	C1		D1			DA		AA		T1			
Dimension	Metal lever t=1.2 		Metal lever t=1.2 			Insulated lever 		Insulated lever 		Metal lever t=1.2 			
Length(L)	F	5	10	10	10	F	10	10	10	10	15	15	8.2
	L	10	15	20	25	L	15	20	25				

Design and specifications presented here are for the standard parts only. Please kindly contact us for your special requests and ask for the current technical specifications before purchase and/or use.

[Back to top](#)