

# INSOLE PRESSURE SENSOR




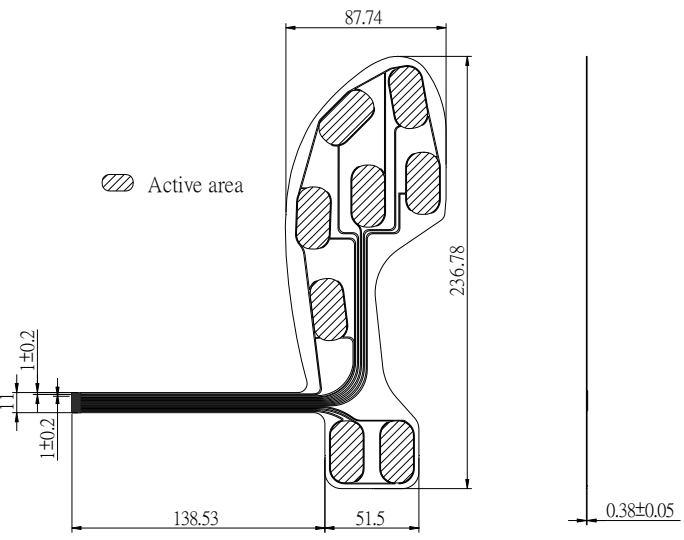
With 8 pressure sensing cells

## Application

- ✓ Balance training, Rehabilitation, Health and Sports, Wearable and many applications.

## Feature

- ✓ Ultra-thin and flexible
- ✓ Improved resolution under high-pressure.

Order Code	Outline Drawing
 <p>MF18A-N-0A8-A01</p>	 <p>Active area</p> <p>87.74</p> <p>236.78</p> <p>138.53</p> <p>51.5</p> <p>0.38±0.05</p> <p>1±0.2</p> <p>1±0.2</p>

## SPECIFICATION

MODEL	MF18A-N-0A8-A01
PRESSURE SENSITIVITY RANGE (EACH FOOT)	30 kg ~ 100 kg (290N ~ 980N)
FORCE REPEATABILITY (SINGLE PART)	±5%
FORCE REPEATABILITY (PART TO PART)	±30%
FORCE RESOLUTION	Continuous(Analog)
STAND-OFF RESISTANCE (UNLOADED)	>20M Ω
RESPONSE TIME	<1ms
OPERATING TEMPERATURE	-20°C to +70°C
LIFE CYCLE (WITHOUT FAILURE)	> 1 million

Design and specifications presented here are for the standard parts only. Please kindly contact us for your special requests and ask for the current technical specifications before purchase and/or use.