

SF12 Series

Application

- ✓ Musical instruments, Industrial control, and others

Feature

- ✓ Durable structure
- ✓ SPDT and DPDT are all available



■Specification

Rating	125V AC 6A, 250V AC 3A, 30V DC 4A
Withstand Voltage	1000V AC - 1 minute
Contact Resistance	50 mΩ Max.
Insulation Resistance	500V DC - 100MΩ Min.
Operating Life Cycle	Latching type: 10,000 cycles Momentary type: 20,000 cycles

■How to order

SF12011F – 0202 – 20R – L

[Model](#)

Number of Pole & Position
Ex. 0102 – 1 pole 2 positions
0202 – 2 poles 2 positions

Actuator Type


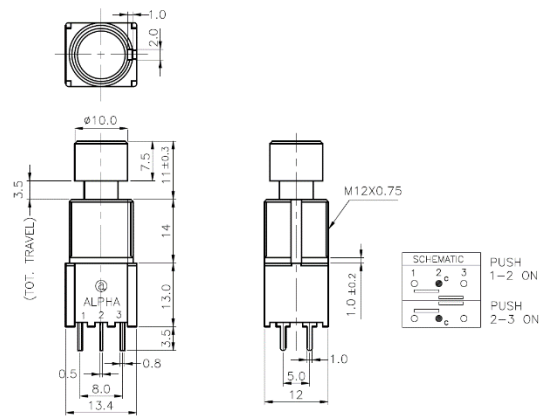

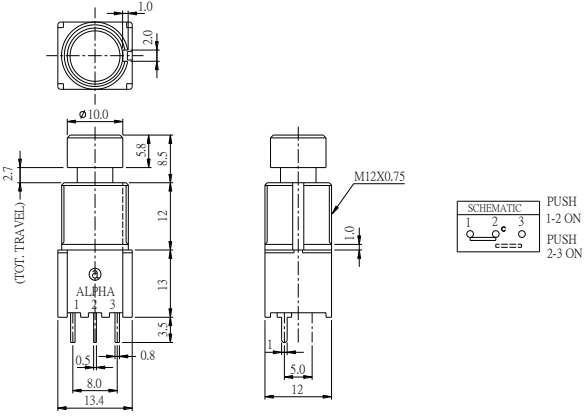
Timing

Order Code	Description
L	Latching
M	Momentary

SF12 Series

Model Description

Model	Terminal Type	Pole	Position	Operating Force	Timing
SF12015DF-0202	PCB	2	2	-L = 1.3 ± 0.5 kgf.cm -M = 1.6 ± 0.5 kgf.cm	Latching / Momentary
SF12011F-0102	PCB	1	2	-L = 1.0 ± 0.7 kgf.cm; -M = 1.7 ± 0.7 kgf.cm	Latching / Momentary
SF12011DF-0102	PCB	1	2		
SF12020F-0102	Soldering	1	2		
SF12020DF-0102	Soldering	1	2		
SF12011F-0202	PCB	2	2		
SF12011DF-0202	PCB	2	2	-L = 1.6 ± 0.5 kgf.cm; -M = 2.8 ± 0.8 kgf.cm	Latching / Momentary
SF12020F-0202	Soldering	2	2		
SF12020DF-0202	Soldering	2	2		
SF12030F	N/A	N/A	N/A	650 ± 200 gf.cm	N/A
SF12030DF	N/A	N/A	N/A	650 ± 200 gf.cm	N/A


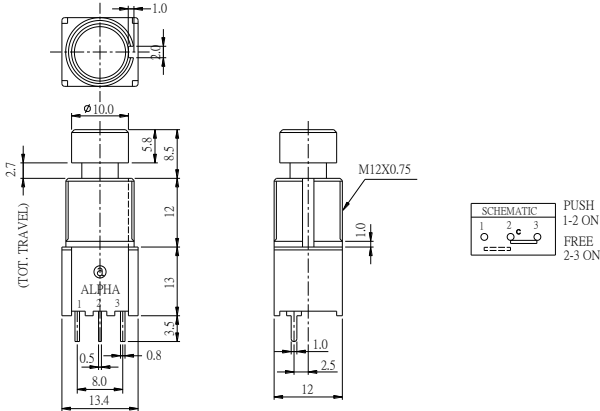

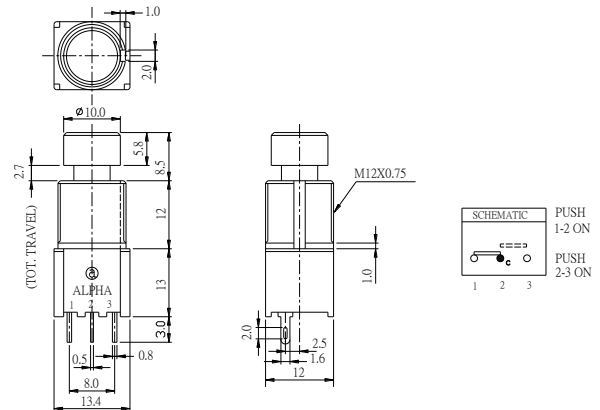

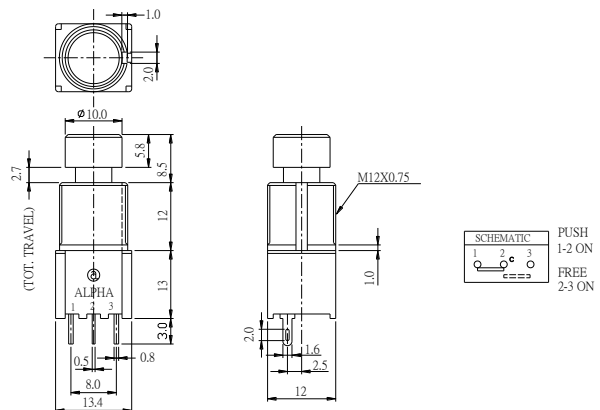

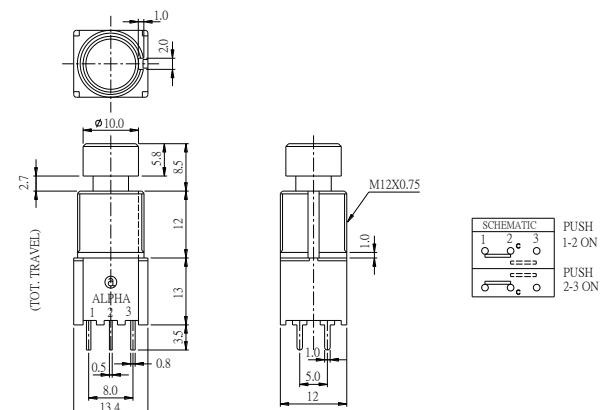
Order Code	Outline Drawing
SF12015DF-0202-25R-L SF12015DF-0202-25R-M 	
SF12011F-0102-20R-L-011 SF12011DF-0102-20R-L-011 	

[Back to top](#)

FOOT SWITCH



SF12 Series


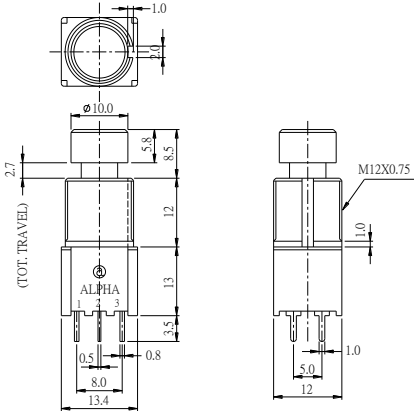

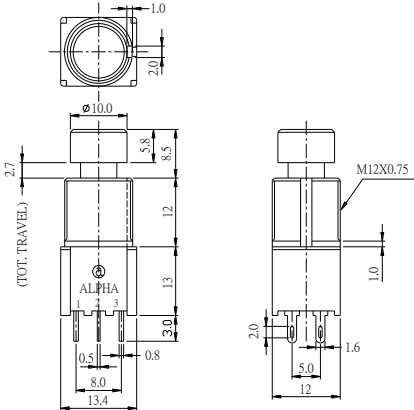

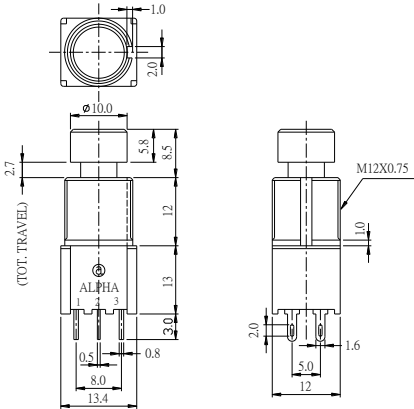
Order Code	Outline Drawing
SF12011F-0102-20R-M-011 SF12011DF-0102-20R-M-011 	
SF12020F-0102-20R-L-011 SF12020DF-0102-20R-L-011 	
SF12020F-0102-20R-M-011 SF12020DF-0102-20R-M-011 	
SF12011F-0202-20R-L-011 SF12011DF-0202-20R-L-011 	

[Back to top](#)

FOOT SWITCH




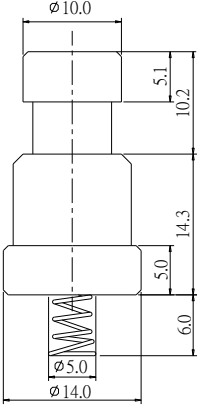
SF12 Series

Order Code	Outline Drawing										
SF12011F-0202-20R-M-011 SF12011DF-0202-20R-M-011 	 <table border="1" data-bbox="1198 521 1334 607"> <tr> <td colspan="2">SCHEMATIC</td> </tr> <tr> <td></td> <td>PUSH</td> </tr> <tr> <td></td> <td>1-2 ON</td> </tr> <tr> <td></td> <td>FREE</td> </tr> <tr> <td></td> <td>2-3 ON</td> </tr> </table>	SCHEMATIC			PUSH		1-2 ON		FREE		2-3 ON
SCHEMATIC											
	PUSH										
	1-2 ON										
	FREE										
	2-3 ON										
SF12020F-0202-20R-L-011 SF12020DF-0202-20R-L-011 	 <table border="1" data-bbox="1198 954 1334 1039"> <tr> <td colspan="2">SCHEMATIC</td> </tr> <tr> <td></td> <td>PUSH</td> </tr> <tr> <td></td> <td>1-2 ON</td> </tr> <tr> <td></td> <td>PUSH</td> </tr> <tr> <td></td> <td>2-3 ON</td> </tr> </table>	SCHEMATIC			PUSH		1-2 ON		PUSH		2-3 ON
SCHEMATIC											
	PUSH										
	1-2 ON										
	PUSH										
	2-3 ON										
SF12020F-0202-20R-M-011 SF12020DF-0202-20R-M-011 	 <table border="1" data-bbox="1198 1379 1334 1464"> <tr> <td colspan="2">SCHEMATIC</td> </tr> <tr> <td></td> <td>PUSH</td> </tr> <tr> <td></td> <td>1-2 ON</td> </tr> <tr> <td></td> <td>FREE</td> </tr> <tr> <td></td> <td>2-3 ON</td> </tr> </table>	SCHEMATIC			PUSH		1-2 ON		FREE		2-3 ON
SCHEMATIC											
	PUSH										
	1-2 ON										
	FREE										
	2-3 ON										

[Back to top](#)

SF12 Series

The below item is not applicable with above normal specification of SF12011F/SF12020F

Order Code	Outline Drawing
SF12030F SF12030DF 	

Design and specifications presented here are for the standard parts only. Please kindly contact us for your special requests and ask for the current technical specifications before purchase and/or use.

[Back to top](#)