

## SL11803F / SL11805F

### Application

- ✓ Musical instruments, or others

### Feature

- ✓ 3-ways and 5-ways lever switch mainly design for guitar use.



### ■Specification

Rating	16V DC 0.1A
Withstand Voltage	100V AC - 1 minute
Contact Resistance	200 mΩ Max
Insulation Resistance	500V DC - 100MΩ Min.
Operating Force	300 ± 200 gf.cm
Operating Life Cycle	SL1180□F-0203 : 5,000 cycles SL1180□F-0205 : 10,000 cycles

### ■How to order

SL11803F - 0203 - 178H - F

Model

Number of Pole and Position:  
Ex. 0203 – 2 poles 3 positions  
0205 – 2 poles 5 positions

LEVER TYPE

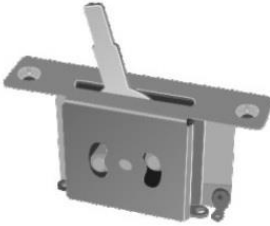
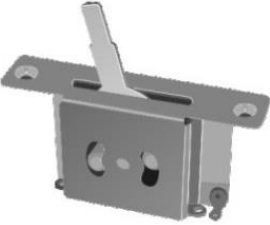
#### Timing

Order Code	Description
F	Free (Undefined)

## SL11803F / SL11805F

### Model Description

Model	Pole	Position	Changeover Angle	Screw Mounting Hole Diameter	Timing
<a href="#">SL11803F-0203</a>	2	3	30°	N06-32UNC	Free
<a href="#">SL11805F-0203</a>	2	3	30°	M3*0.5	Free
<a href="#">SL11803F-0205</a>	2	5	15°	N06-32UNC	Free
<a href="#">SL11805F-0205</a>	2	5	15°	M3*0.5	Free

Order Code	Outline Drawing				
SL11803F-0203 SL11805F-0203 	<p style="text-align: center;">SCHEMATIC</p> <p style="text-align: center;">Mounting hole diameter</p> <table border="1" style="margin-left: auto; margin-right: auto;"> <tr> <td>SL11803-0203</td> <td>N06-32UNC</td> </tr> <tr> <td>SL11805-0203</td> <td>M3 x 0.5</td> </tr> </table>	SL11803-0203	N06-32UNC	SL11805-0203	M3 x 0.5
SL11803-0203	N06-32UNC				
SL11805-0203	M3 x 0.5				
SL11803F-0205 SL11805F-0205 	<p style="text-align: center;">SCHEMATIC</p> <p style="text-align: center;">Mounting hole diameter</p> <table border="1" style="margin-left: auto; margin-right: auto;"> <tr> <td>SL11803-0205</td> <td>N06-32UNC</td> </tr> <tr> <td>SL11805-0205</td> <td>M3 x 0.5</td> </tr> </table>	SL11803-0205	N06-32UNC	SL11805-0205	M3 x 0.5
SL11803-0205	N06-32UNC				
SL11805-0205	M3 x 0.5				

Design and specifications presented here are for the standard parts only. Please kindly contact us for your special requests and ask for the current technical specifications before purchase and/or use.

[Back to top](#)