

SR1712F series

Application

- ✓ TV/Video, Audio, Home appliance, Precision apparatus,
Automotive, Musical instruments, Industrial control, Others

Feature

- ✓ Up to 9 positions general use switch with insulated shafts.



■Specification

Rating	16V DC 0.3A
Withstand Voltage	100V AC - 1 minute
Contact Resistance	50 mΩ Max.
Insulation Resistance	100V DC - 100MΩ Min.
Rotational Torque	200 ± 100 gf.cm
Operating Life Cycle	10,000 cycles

■How to order

SR1712F - 0109 - 15K0A - N9 - N

[Model](#)

Number of Pole & Position
Ex. 0102 – 1 pole 2 positions
0204 – 2 poles 4 positions

[Shaft Type](#)

Timing

Order Code	Description
N	Non-Shorting (break-before-make)

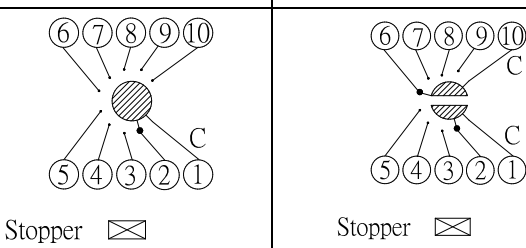

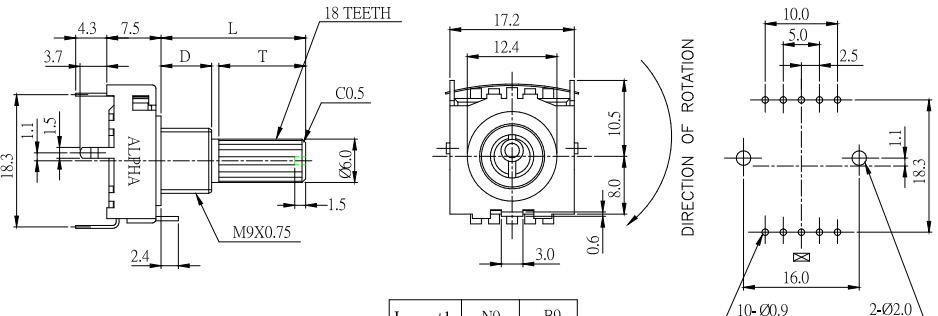
Bushing Type:

Order Code	Bushing Length	Bushing Diameter
N9	7mm	M9*0.75
B9	5mm	M9*0.75

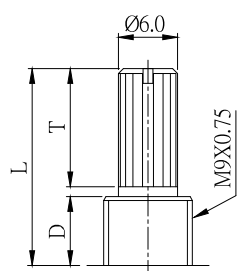
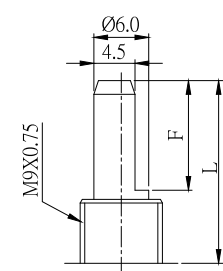
SR1712F series

Model Description

Model	Terminal Type	Pole	Position	Changeover Angle	Timing
SR1712F	PCB	1	2~9	30°	Non-shorting
		2	2~4		

Order Code	Outline Drawing							
SR1712F-□□-(L)K0A-N9-N SR1712F-□□-(L)K0A-B9-N	Numbers of poles	<table border="1"> <tr> <td>1</td> <td>2</td> </tr> </table>	1	2				
1	2							
	Circuit diagram							
	 <table border="1" data-bbox="941 1232 1133 1310"> <tr> <td>Length</td> <td>N9</td> <td>B9</td> </tr> <tr> <td>D</td> <td>7</td> <td>5</td> </tr> </table> <p>(☒ STOPPER) P.C.B. MOUNTING HOLE DETAIL</p>		Length	N9	B9	D	7	5
Length	N9	B9						
D	7	5						

Shaft Type

Order Code	(L)K0A	(L)FOA
Shaft Type	18 Teeth knurled	Flat shaft
Dimension		
Standard Shaft Length (L)	15, 20, 25	15, 20, 25, 30

Design and specifications presented here are for the standard parts only. Please kindly contact us for your special requests and ask for the current technical specifications before purchase and/or use.

[Back to top](#)