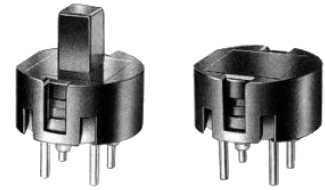


Application

- ✓ TV/Video, Audio, Home appliance, Precision apparatus, Automotive, Office equipment, Communication, Musical instruments, Industrial control, Others



Feature

- ✓ Different cap colors are available for the switches.

■Specification

Rating	DC 35V 10mA
Withstand Voltage	AC500V for 1 minute
Contact Resistance	50 mΩ Max
Insulation Resistance	DC500V - 100MΩ Min.
Operating Force	130 ± 50 gf.cm
Operating Life Cycle	100,000 cycles
Minimum Order Quantity	5,000 pcs per item per shipments

■How to order

SK12020F – 0102 – 7R – NB – 3

[Model](#)

Numbers of Pole & Position
0102 – 1 pole 2 positions

Cap Type

Operating Force:

Order Code	Description
3	130 ± 50g


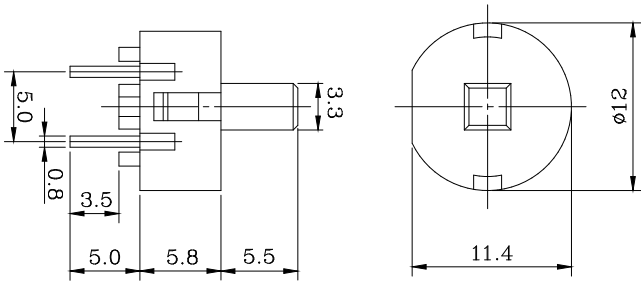
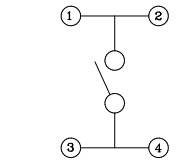
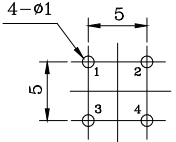

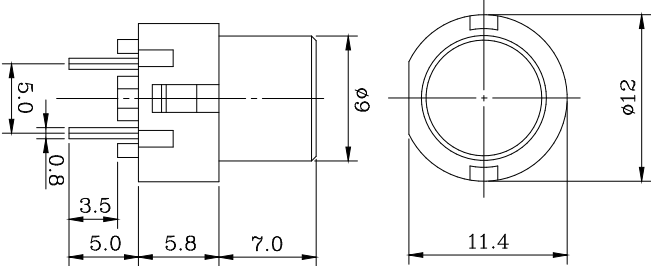
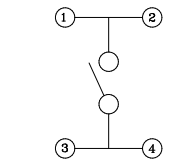
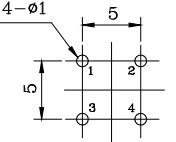
Color of the Cap:

Order Code	Description
NW	White
NB	Black
NR	Red
NG	Green
NA	Gray
NL	Blue
NY	Yellow


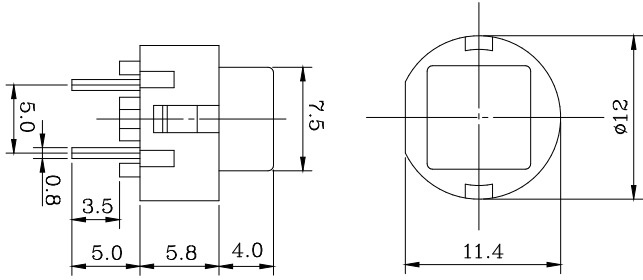
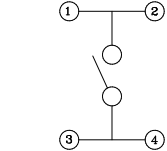
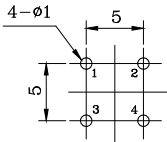

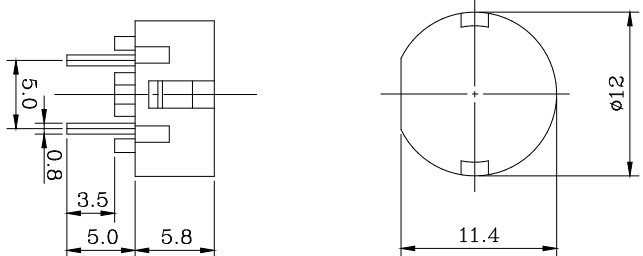
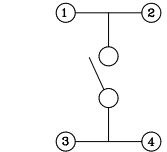
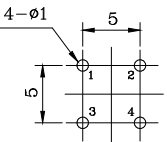
Model Description

Model	Operating Direction	Switch Circuit	Rating	Operating Force	Stroke
SK12010F-0102	Vertical	SPST	DC 35V 10mA	130±50 gf.cm	0.8mm
SK12020F-0102	Vertical	SPST	DC 35V 10mA	130±50 gf.cm	0.8mm
SK12030F-0102	Vertical	SPST	DC 35V 10mA	130±50 gf.cm	0.8mm
SK12040F-0102	Vertical	SPST	DC 35V 10mA	130±50 gf.cm	0.8mm

MOQ: 6,000 pcs for each specification / Part number.

Order Code	Outline Drawing
SK12010F-0102-5.5P-□□-3 	 <p style="text-align: right;">CIRCUIT ARRANGEMENT</p>  <p style="text-align: right;">P.C.B. MOUNTING DETAIL</p> 
SK12020F-0102-7R-□□-3 	 <p style="text-align: right;">CIRCUIT ARRANGEMENT</p>  <p style="text-align: right;">P.C.B. MOUNTING DETAIL</p> 

[Back to top](#)

Order Code	Outline Drawing	
SK12030F-0102-4S-□□-3 	 <div style="float: right; text-align: center;"> <p>CIRCUIT ARRANGEMENT</p>  <p>P.C.B. MOUNTING DETAIL</p>  </div>	
SK12040F-0102-0-□□-3 	 <div style="float: right; text-align: center;"> <p>CIRCUIT ARRANGEMENT</p>  <p>P.C.B. MOUNTING DETAIL</p>  </div>	

Design and specifications presented here are for the standard parts only. Please kindly contact us for your special requests and ask for the current technical specifications before purchase and/or use.

[Back to top](#)