

## Application

- ✓ TV/Video, Audio, Home appliance, Precision apparatus, Automotive, Office equipment, Communication, Musical instruments, Industrial control, Others

## Feature

- ✓ Small size tact switches with SMT type and Snap-in Type.


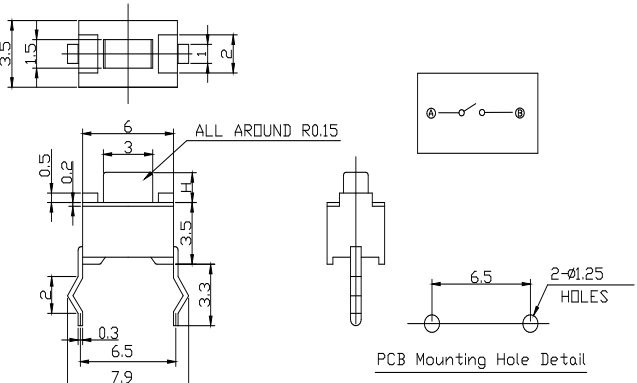

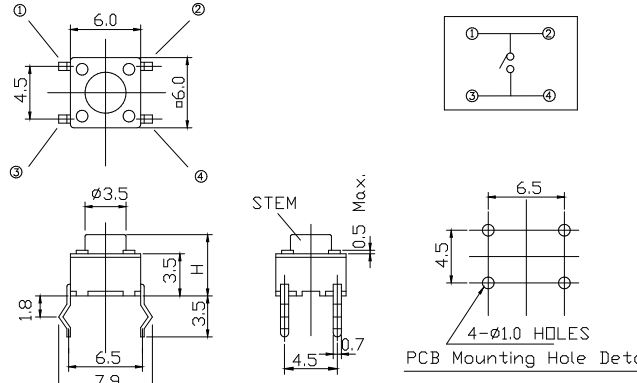

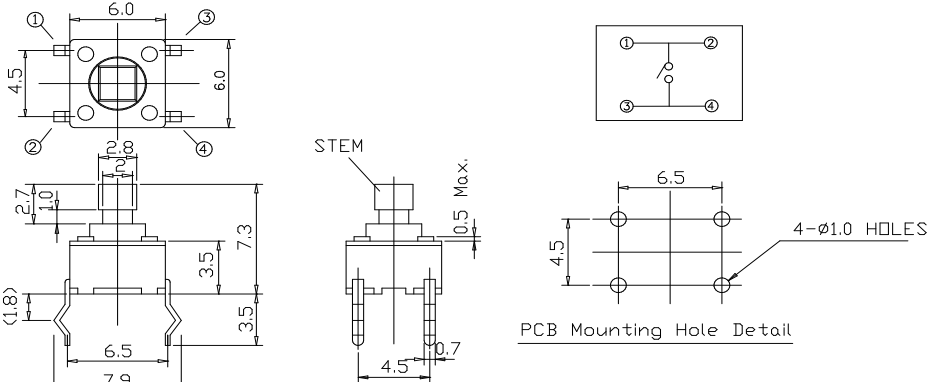

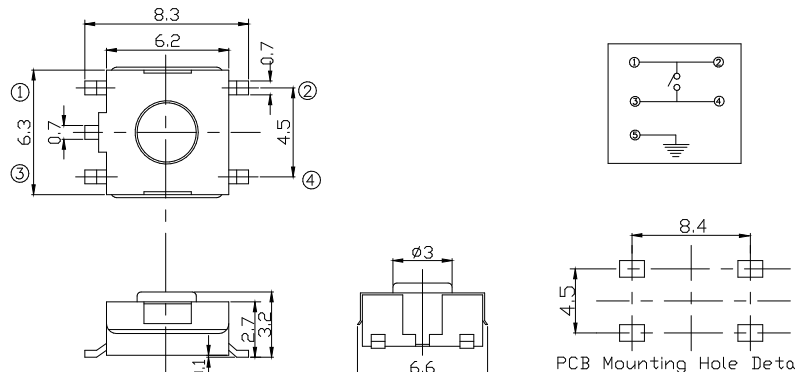


## ■Specification


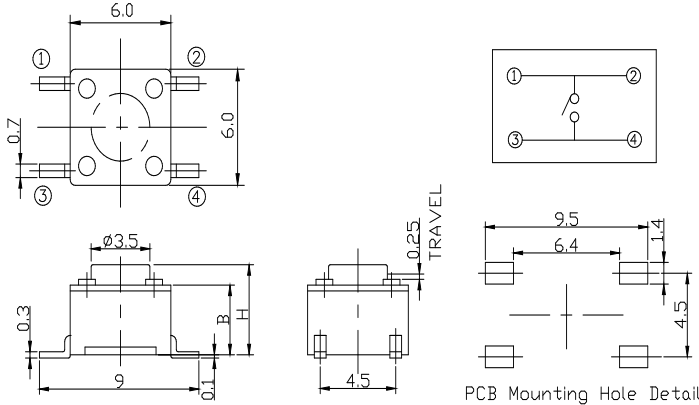
Rating	DC 12V 50mA
Withstand Voltage	AC250V for 1 minute
Contact Resistance	100 mΩ Max
Insulation Resistance	100MΩ at DC250V
Mechanical Life (with load)	50,000 cycles
Minimum Order Quantity	5,000 pcs per item per shipment

## ■Model Description

Model	Size	Mounting Type	Stem Height	Operating Force	Stroke
<a href="#">STF-1101</a>	3.5*6.0 mm	Snap-in	0.8mm	160±50g	0.25mm
<a href="#">STF-1101AP</a>	3.5*6.0 mm	Snap-in	1.5 mm	160±50g	0.25mm
<a href="#">STF-1102</a>	6.0*6.0 mm	Snap-in	0.8 mm	130±40g	0.25mm
<a href="#">STF-1102A</a>	6.0*6.0 mm	Snap-in	1.5 mm	130±40g	0.25mm
<a href="#">STF-1102B</a>	6.0*6.0 mm	Snap-in	6 mm	130±40g	0.25mm
<a href="#">STF-1102T-H</a>	6.0*6.0 mm	Snap-in	3.8 mm	130±40g	0.25mm
<a href="#">TSF016-01MGY6-160-T</a>	6.2*6.3 mm	SMT	0.5 mm	130±40g	0.25mm
<a href="#">TSF-01MSY6-130-6-B-T</a>	6.0*6.0 mm	SMT	1.15 mm	130±40g	0.25mm
<a href="#">TSF-02MSY6-130-6-B-T</a>	6.0*6.0 mm	SMT	1.5 mm	130±40g	0.25mm

Order Code	Outline Drawing								
<p>STF-1101 STF-1101AP</p> 	 <table border="1" data-bbox="1209 405 1490 539"> <thead> <tr> <th>MODEL</th> <th>H</th> </tr> </thead> <tbody> <tr> <td>STF-1101</td> <td>0.8</td> </tr> <tr> <td>STF-1101AP</td> <td>1.5</td> </tr> </tbody> </table>	MODEL	H	STF-1101	0.8	STF-1101AP	1.5		
MODEL	H								
STF-1101	0.8								
STF-1101AP	1.5								
<p>STF-1102 STF-1102A STF-1102B</p> 	 <table border="1" data-bbox="1222 745 1497 902"> <thead> <tr> <th>MODEL</th> <th>H</th> </tr> </thead> <tbody> <tr> <td>STF-1102</td> <td>4.3</td> </tr> <tr> <td>STF-1102A</td> <td>5.0</td> </tr> <tr> <td>STF-1102B</td> <td>9.5</td> </tr> </tbody> </table>	MODEL	H	STF-1102	4.3	STF-1102A	5.0	STF-1102B	9.5
MODEL	H								
STF-1102	4.3								
STF-1102A	5.0								
STF-1102B	9.5								
<p>STF-1102T-H</p> 	 <table border="1" data-bbox="1153 1200 1302 1294"> <thead> <tr> <th>MODEL</th> <th>H</th> </tr> </thead> <tbody> <tr> <td>STF-1102</td> <td>4.3</td> </tr> <tr> <td>STF-1102A</td> <td>5.0</td> </tr> <tr> <td>STF-1102B</td> <td>9.5</td> </tr> </tbody> </table>	MODEL	H	STF-1102	4.3	STF-1102A	5.0	STF-1102B	9.5
MODEL	H								
STF-1102	4.3								
STF-1102A	5.0								
STF-1102B	9.5								
<p>TSF016-01MGY6-160-T</p> 	 <table border="1" data-bbox="1166 1653 1302 1776"> <thead> <tr> <th>MODEL</th> <th>H</th> </tr> </thead> <tbody> <tr> <td>STF-1102</td> <td>4.3</td> </tr> <tr> <td>STF-1102A</td> <td>5.0</td> </tr> <tr> <td>STF-1102B</td> <td>9.5</td> </tr> </tbody> </table>	MODEL	H	STF-1102	4.3	STF-1102A	5.0	STF-1102B	9.5
MODEL	H								
STF-1102	4.3								
STF-1102A	5.0								
STF-1102B	9.5								

[Back to top](#)

Order Code	Outline Drawing									
<p>TSF-01MSY6-130-6-B-T TSF-02MSY6-130-6-B-T</p> 	 <table border="1" data-bbox="1276 347 1500 470"> <thead> <tr> <th>MODEL</th> <th>H</th> <th>B</th> </tr> </thead> <tbody> <tr> <td>TSF-01MSY6-130</td> <td>4.3</td> <td>3.15</td> </tr> <tr> <td>TSF-02MSY6-130</td> <td>5.0</td> <td>3.5</td> </tr> </tbody> </table> <p>PCB Mounting Hole Detail</p>	MODEL	H	B	TSF-01MSY6-130	4.3	3.15	TSF-02MSY6-130	5.0	3.5
MODEL	H	B								
TSF-01MSY6-130	4.3	3.15								
TSF-02MSY6-130	5.0	3.5								

**Design and specifications presented here are for the standard parts only. Please kindly contact us for your special requests and ask for the current technical specifications before purchase and/or use.**

[Back to top](#)