

Application

- ✓ TV/Video, Audio, Home appliance, Precision apparatus, Automotive, Office equipment, Communication, Musical instruments, Industrial control



Feature

- ✓ Low profile lever switches available for various fields.

■Specification

Rating	125V AC 0.3A
Withstand Voltage	500V AC - 1 minute
Contact Resistance	25 mΩ Max
Insulation Resistance	500V DC - 100MΩ Min.
Operating Force	400 ± 200 gf.cm
Operating Life Cycle	10,000 cycles

■How to order

SL10020F - 0203 - 9P - SN

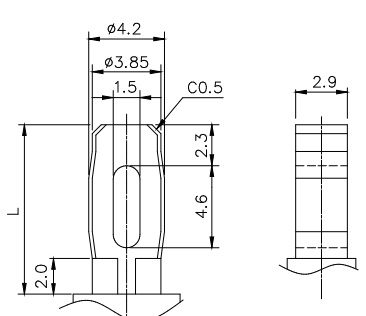
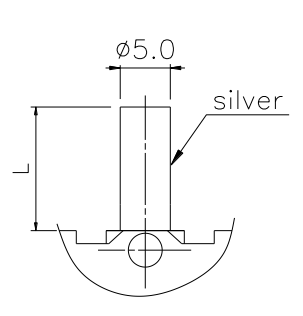
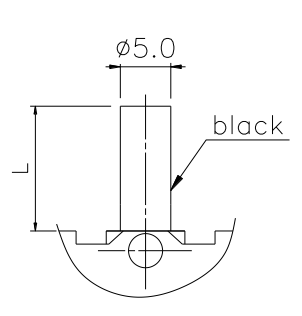
[Model](#)

Number of Pole and Position
 Ex. 0203 – 2 poles 3 positions
 0403 – 4 poles 3 positions

[Lever Type](#)

Timing	
Order Code	Description
NN	Non-Shorting (break-before-make)
SN	Shorting (make-before-break)

■ Lever Type

Length (L)	9	15	12	15
Lever Type	P	PA	PB	
Description	Standard lever without cap	Lever with silver aluminum alloy cap	Lever with black aluminum alloy cap	
Dimension				

Design and specifications presented here are for the standard parts only. Please kindly contact us for your special requests and ask for the current technical specifications before purchase and/or use.

[Back to top](#)