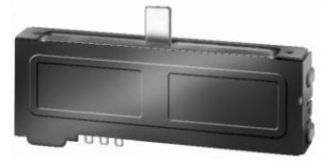


## Dual Rail Slide Series

### Application

- ✓ Master volume control in high-grade audio equipment, fader for studio mixer, etc.



### Feature

- ✓ Extremely light feeling slide
- ✓ Long life, extremely low noise and residual resistance
- ✓ Less lever wobble and better operational feel

### ■Specification

Travel Distance	60mm
Insulation Resistance	100 MΩ or more at 100V DC
Dielectric Strength	100V AC, 1 minute
Operating Temperature Range	-10 °C~70 °C
Operating Force	50 gf.cm Max.
Sliding Life	100,000 cycles

### ■How to order

RA60K1F – 10 – 15C1 – B10K

[Model](#)

[Lever Type](#)

#### Taper and Resistance Value

Ex:

Order Code	Taper	Resistance Value
A100K	Audio/Log/A	100KΩ
B1M	Linear/B	1MΩ

Taper : A and B

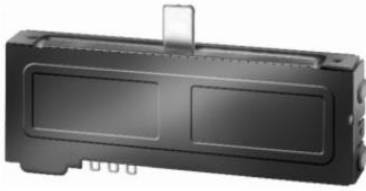
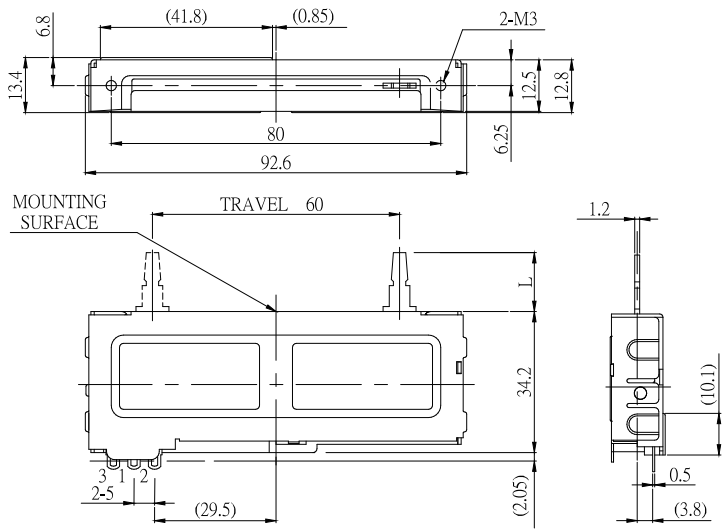
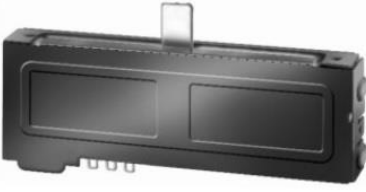
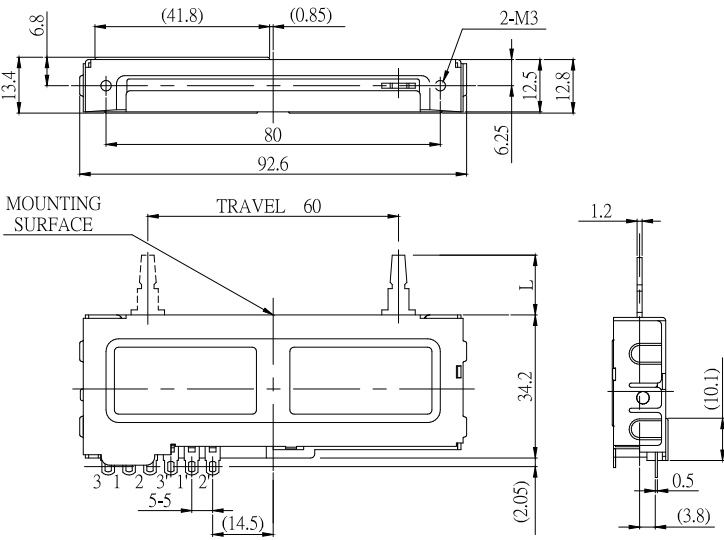
Resistance Value: 1KΩ to 500KΩ and 1MΩ

\*Contact us for other requirements.

## Dual Rail Slide Series

### Model Description

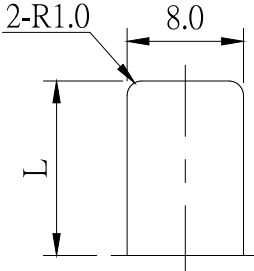
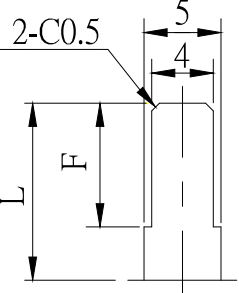
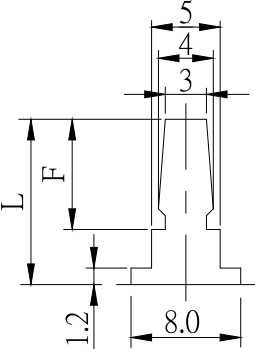
Model	Number of Unit	Travel Distance	Type of Terminal	Mounting Height
<a href="#">RA60K1F-10</a>	Single Unit	60mm	Solder Lug	34.2mm
<a href="#">RA60K2F-10</a>	Dual Unit	60mm	Solder Lug	34.2mm

Order Code	Outline Drawing
<p>RA60K1F-10</p> 	
<p>RA60K2F-10</p> 	

[Back to top](#)

## Dual Rail Slide Series

### ■ Lever Type and Dimensions

Model	RA60K1F, RA60K2F						
Lever Type	Metal Lever t=1.2						
	B1	C1		D1			
Dimensions							
Length(L)	12	F	10	10	F	10	10
		L	15	14.5	L	15	20

Design and specifications presented here are for the standard parts only. Please kindly contact us for your special requests and ask for the current technical specifications before purchase and/or use.

[Back to top](#)