

Long Life Dual Rail Slide Series

Application

- ✓ Master volume control in high-grade audio equipment, fader for studio mixer, etc.

Feature

- ✓ Long life, extremely low noise and residual resistance
- ✓ Less lever wobble and better operational feel



■Specification

Travel Distance	45mm
Insulation Resistance	100 MΩ or more at 100V DC
Dielectric Strength	100V AC, 1 minute
Operating Temperature Range	-10 °C~70 °C
Operating Force	5~50 gf.cm (Strong feeling: 20~80 gf.cm)
Sliding Life	1,000,000 cycles

■How to order

RA45D1LF – 210 – 20C1 – B10K

Model

Lever Type

Taper and Resistance Value

Ex:

Order Code	Taper	Resistance Value
A100K	Audio/Log/A	100KΩ
B1M	Linear/B	1MΩ

Taper : A and B

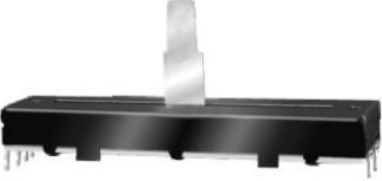
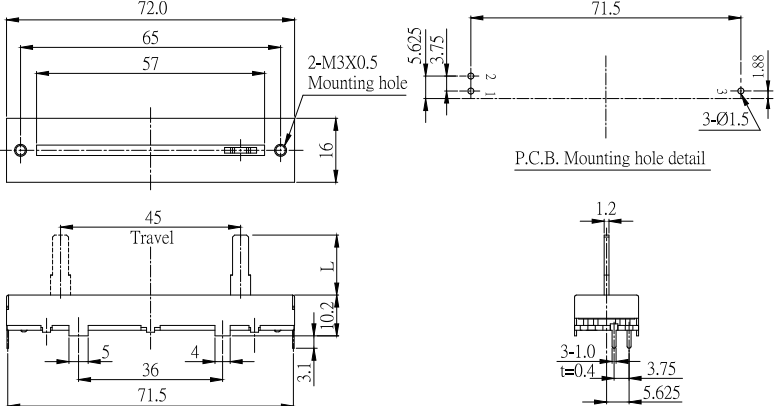
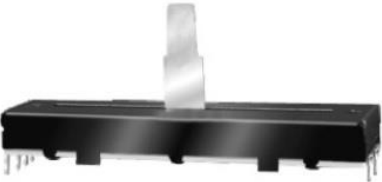
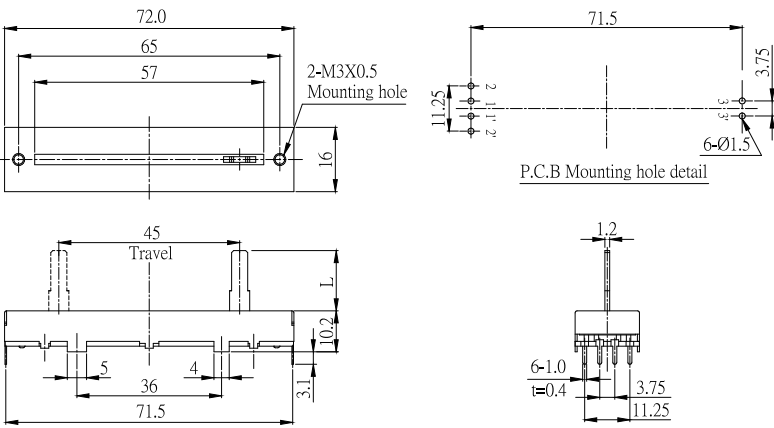
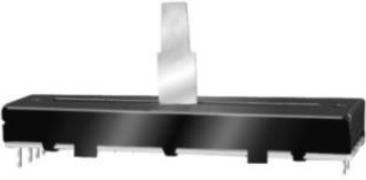
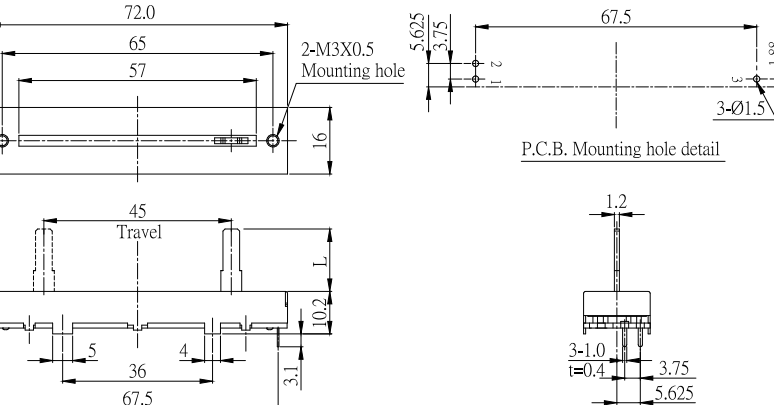
Resistance Value: 1KΩ to 500KΩ and 1MΩ

*Contact us for other requirements.

Long Life Dual Rail Slide Series

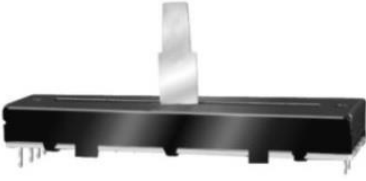
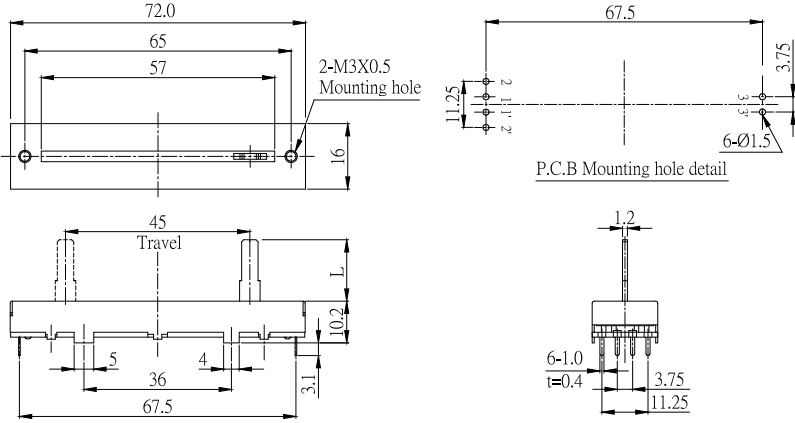
Model Description

Model	Number of Unit	Travel Distance	Type of Terminal	Mounting Height
RA45D1LF-210	Single Unit	45mm	PC board (vertical)	10.2mm
RA45D2LF-210	Dual Unit	45mm	PC board (vertical)	10.2mm
RA45D1LF-211	Single Unit	45mm	PC board (vertical)	10.2mm
RA45D2LF-211	Dual Unit	45mm	PC board (vertical)	10.2mm

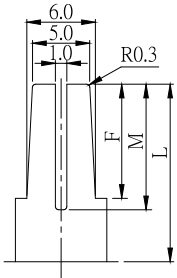
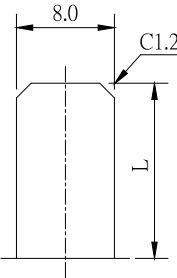
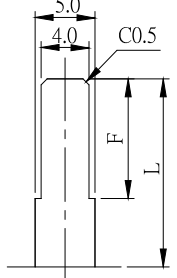
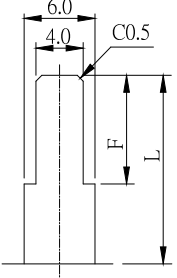
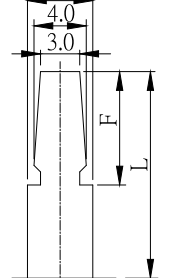
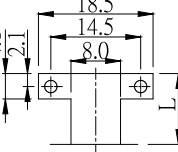
Order Code	Outline Drawing
<p>RA45D1LF-210</p> 	
<p>RA45D2LF-210</p> 	
<p>RA45D1LF-211</p> 	

[Back to top](#)

Long Life Dual Rail Slide Series

Order Code	Outline Drawing
RA45D2LF-211 	

■ Lever Type and Dimensions

Model	RA45D1LF, RA45D2LF																
Lever Type	Metal Lever t=1.2																
	A1		B1				C1			C2		D1			T1		
Dimensions																	
Length(L)	M	12	8 9 13 15				F	10	10	10	F	10	F	10	10	10	8.2
	F	10					L	11	15	L	12	L	15	17	20		
	L	20					L	11	15	L	12	L	15	17	20		

Design and specifications presented here are for the standard parts only. Please kindly contact us for your special requests and ask for the current technical specifications before purchase and/or use.

[Back to top](#)