

16mm Insulated Shaft Rotary Encoder

Application

- ✓ Audio, Home appliance, Precision Apparatus, Automotive, Communication, Industrial Control, etc.



Feature

- ✓ Incremental Output Signal Encoder

■Specification

Rotation Angle	360° endless
Rating Voltage	5V DC 0.5mA
Operating Temperature	-10 °C~70 °C
Rotational Torque	50 ~ 200 gf.cm
Rotational Life	50,000 cycles (rotate 360° ccw and rotate 360° cw as 1 cycle)

■How to order

RE160F – 40(D) – 15A – 10P

Model

Terminal Type		
Code	Terminal type	Switch
40	Vertical	Without switch

Code	Bushing Type (D)	
E3	∅9mm	7mm

Resolution


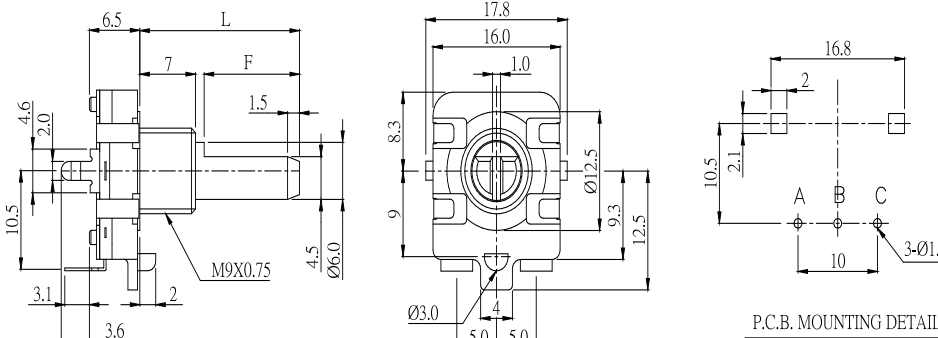
Code	Pulses	Detent
24P	24	24

Shaft

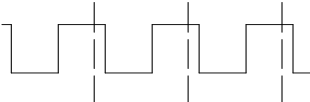
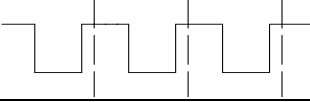
16mm Insulated Shaft Rotary Encoder

Model Description

Model	Terminal Type	Switch	Bushing Type (D)		Bushing Thread
RE160F-40E3	Vertical	Without Switch	Ø9mm	7mm	With thread

Order Code	Outline Drawing								
RE160F-40E3	  <table border="1" data-bbox="1149 1041 1492 1131"> <thead> <tr> <th>L</th> <th>15</th> <th>20</th> <th>25</th> </tr> </thead> <tbody> <tr> <th>F</th> <td>7</td> <td>12</td> <td>12</td> </tr> </tbody> </table> <p>P.C.B. MOUNTING DETAIL</p>	L	15	20	25	F	7	12	12
L	15	20	25						
F	7	12	12						

Resolution and Output Signal

Model	Resolution (Pulses/Rotation)	Detent Number	Output Signal Format		
			Shaft Rotational Direction	Signal	Output
RE160F	24/360°	24	C.W.	A (Terminal A-C)	OFF ON 
				B (Terminal B-C)	OFF ON 

Design and specifications presented here are for the standard parts only. Please kindly contact us for your special requests and ask for the current technical specifications before purchase and/or use.

[Back to top](#)