

11mm SMD Rotary Encoder

Application

- ✓ Audio, Home appliance, Precision apparatus, Lighting control, etc.



Feature

- ✓ Incremental Output Signal Encoder with SMD pins

■Specification

Rotation Angle	360° endless
Rating	5V DC 10mA (I mA Min.)
Operating Temperature	-10 °C~70 °C
Rotational Torque	150±100 gf.cm
Rotational Life	30,000 cycles
Switch Circuit	S.P.S.T. (Push-on switch)
Switch Stroke	0.5 mm
Switch Rating	16V DC 3A (10mA Min.)
Switch Operating Force	600±300 gf.cm
Switch Operating Life	100,000 times

■How to order

RE111F - 4S1 - 15.2S4 - 15P

[Model](#)

Shaft


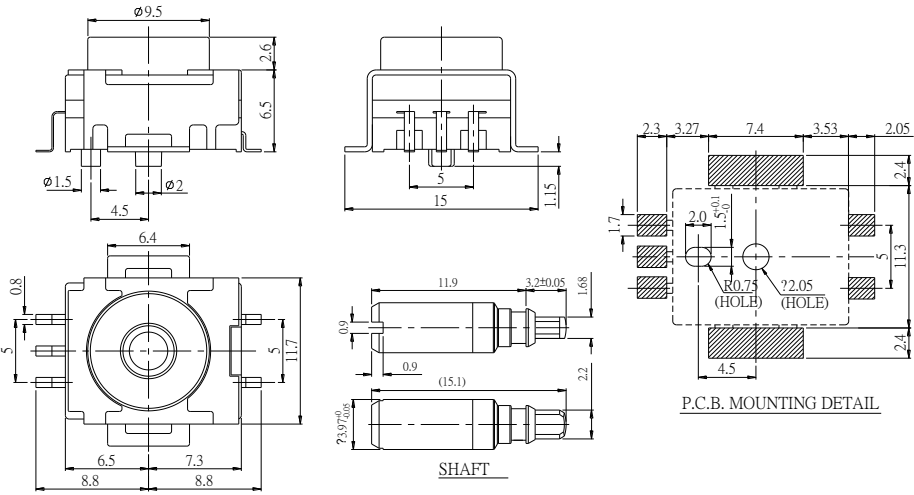
[Resolution](#)

Order Code	Pulses	Detents
15P	15	30

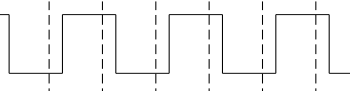
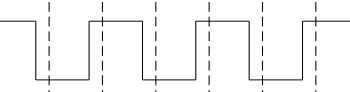
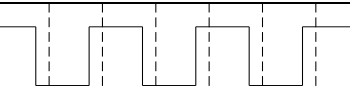
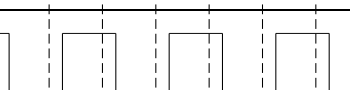
11mm SMD Rotary Encoder

Model Description

Model	Terminal Type	Switch	Shaft Type
RE111F-4S1	Vertical	Push on switch	Plastic shaft

Order Code	Outline Drawing
RE111F-4S1	 

Resolution and Output Signal

Model	Resolution (Pulses/Rotation)	Detent Number	Output Signal Format		
			Shaft Rotational Direction	Signal	Output
RE111F-4S1	15/360°	30	C.W.	A (Terminal A-C)	OFF ON 
				B (Terminal B-C)	OFF ON 
	15/360°	30	C.C.W.	A (Terminal A-C)	OFF ON 
				B (Terminal B-C)	OFF ON 

Design and specifications presented here are for the standard parts only. Please kindly contact us for your special requests and ask for the current technical specifications before purchase and/or use.

[Back to top](#)