

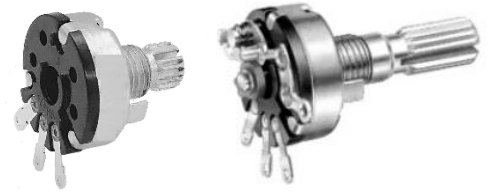
17mm Rotary Type, Metal Shaft Series

Application

- ✓ Audio/video controls , Industrial control , Controls for medical equipment

Feature

- ✓ Switch option



■Specification

| | |
|---------------------------------------|---|
| Total Rotational Angle | 260±5° |
| Maximum Operating Voltage | B taper 200V A.C ; Other taper 150V A.C |
| Insulation Resistance | More than 50MΩ at DC 500V |
| Dielectric Strength | A.C 500V for 1 minute |
| Rotational Torque | 20-200 gf.cm |
| Click Torque | N/A |
| Rotational Stop Strength of the Shaft | N/A |
| Push/Pull Strength of the Shaft | 3 kgf.cm for 60 sec |
| Rotation Life | 15,000 cycles |
| Switch Working Angle | RV170SF: 30°±10° |
| Switch Working Torque | RV170SF: 70-400 gf.cm |
| Switch Life | RV170SF: 10,000 cycles |

■How to order

RV170F – 10 – 15K – B100K

[Model](#)

[Metal Shaft Type](#)

Taper and Resistance Value

| Order Code | Taper | Resistance Value |
|------------|----------|------------------|
| A100K | Log/A | 100KΩ |
| B1M | Linear/B | 1MΩ |


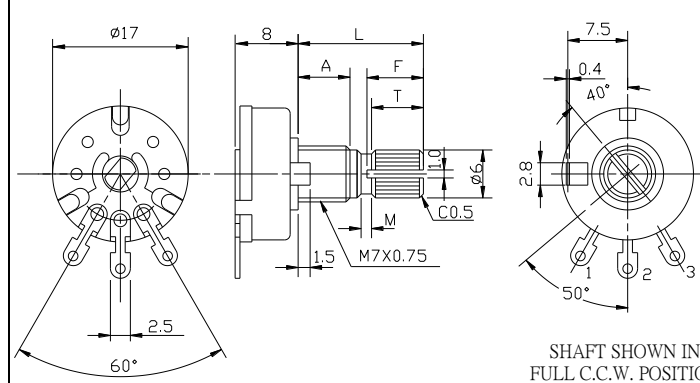
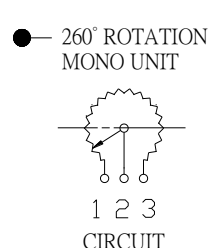

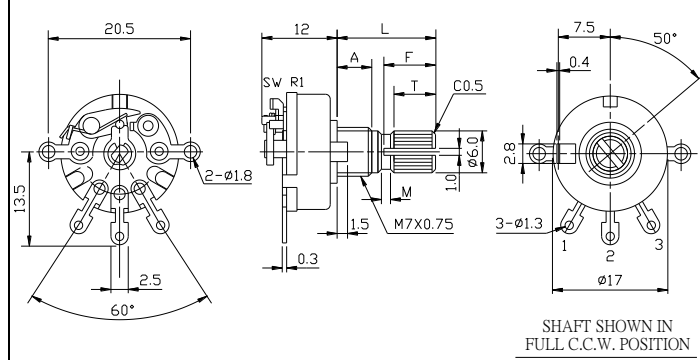
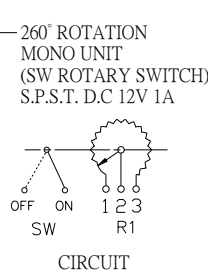
Taper: A, B

Resistance Value: 1KΩ to 500KΩ and 1MΩ

*Contact us for other requirements.

17mm Rotary Type, Metal Shaft Series

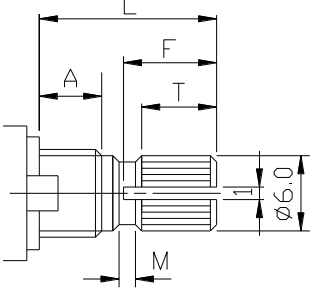
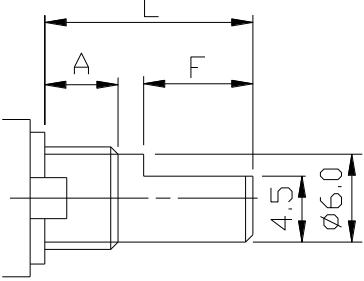
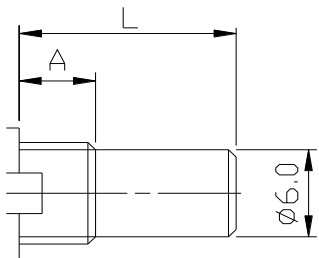
| Model | Number of Unit | Switch Function | Terminal Type | With Sleeve or Bushing | Rotational Angle |
|----------------------------|----------------|----------------------|---------------|------------------------|------------------|
| RV170F-10 | Single unit | N/A | Solder lug | Metal bushing | 260°±5° |
| RV170SF-10 | Single unit | S.P.S.T Rotary SW | Solder lug | Metal bushing | 260°±5° |

| Order Code | Outline Drawing |
|---|---|
| RV170F-10  |  <p>SHAFT SHOWN IN FULL C.C.W. POSITION</p>  <p>● 260° ROTATION MONO UNIT</p> <p>1 2 3 CIRCUIT</p> |
| RV170SF-10  |  <p>SHAFT SHOWN IN FULL C.C.W. POSITION</p>  <p>● 260° ROTATION MONO UNIT (SW ROTARY SWITCH) S.P.S.T. D.C 12V 1A</p> <p>OFF ON 1 2 3 SW R1 CIRCUIT</p> |

[Back to top](#)

17mm Rotary Type, Metal Shaft Series

■ Metal Shaft Type

| K Type | F Type | R Type | | | | | | | | | | | | | | | | | | | | | | | | | | | | | | | | | | | | |
|--|--|--|-----|----|-----|----|-----|----|-----|----|-----|----|--|------------|---|-----|----|-----|----|-----|----|-----|----|-----|----|--|------------|---|-----|----|-----|----|-----|----|-----|----|-----|----|
| <p>A:5mm</p>  | <p>A:5mm</p>  | <p>A:5mm</p>  | | | | | | | | | | | | | | | | | | | | | | | | | | | | | | | | | | | | |
| <table border="1" data-bbox="140 696 488 994"> <thead> <tr> <th>Order Code</th> <th>L</th> </tr> </thead> <tbody> <tr><td>10K</td><td>10</td></tr> <tr><td>15K</td><td>15</td></tr> <tr><td>20K</td><td>20</td></tr> <tr><td>25K</td><td>25</td></tr> <tr><td>30K</td><td>30</td></tr> </tbody> </table> | Order Code | L | 10K | 10 | 15K | 15 | 20K | 20 | 25K | 25 | 30K | 30 | <table border="1" data-bbox="624 696 971 994"> <thead> <tr> <th>Order Code</th> <th>L</th> </tr> </thead> <tbody> <tr><td>10F</td><td>10</td></tr> <tr><td>15F</td><td>15</td></tr> <tr><td>20F</td><td>20</td></tr> <tr><td>25F</td><td>25</td></tr> <tr><td>30F</td><td>30</td></tr> </tbody> </table> | Order Code | L | 10F | 10 | 15F | 15 | 20F | 20 | 25F | 25 | 30F | 30 | <table border="1" data-bbox="1107 696 1455 994"> <thead> <tr> <th>Order Code</th> <th>L</th> </tr> </thead> <tbody> <tr><td>10R</td><td>10</td></tr> <tr><td>15R</td><td>15</td></tr> <tr><td>20R</td><td>20</td></tr> <tr><td>25R</td><td>25</td></tr> <tr><td>30R</td><td>30</td></tr> </tbody> </table> | Order Code | L | 10R | 10 | 15R | 15 | 20R | 20 | 25R | 25 | 30R | 30 |
| Order Code | L | | | | | | | | | | | | | | | | | | | | | | | | | | | | | | | | | | | | | |
| 10K | 10 | | | | | | | | | | | | | | | | | | | | | | | | | | | | | | | | | | | | | |
| 15K | 15 | | | | | | | | | | | | | | | | | | | | | | | | | | | | | | | | | | | | | |
| 20K | 20 | | | | | | | | | | | | | | | | | | | | | | | | | | | | | | | | | | | | | |
| 25K | 25 | | | | | | | | | | | | | | | | | | | | | | | | | | | | | | | | | | | | | |
| 30K | 30 | | | | | | | | | | | | | | | | | | | | | | | | | | | | | | | | | | | | | |
| Order Code | L | | | | | | | | | | | | | | | | | | | | | | | | | | | | | | | | | | | | | |
| 10F | 10 | | | | | | | | | | | | | | | | | | | | | | | | | | | | | | | | | | | | | |
| 15F | 15 | | | | | | | | | | | | | | | | | | | | | | | | | | | | | | | | | | | | | |
| 20F | 20 | | | | | | | | | | | | | | | | | | | | | | | | | | | | | | | | | | | | | |
| 25F | 25 | | | | | | | | | | | | | | | | | | | | | | | | | | | | | | | | | | | | | |
| 30F | 30 | | | | | | | | | | | | | | | | | | | | | | | | | | | | | | | | | | | | | |
| Order Code | L | | | | | | | | | | | | | | | | | | | | | | | | | | | | | | | | | | | | | |
| 10R | 10 | | | | | | | | | | | | | | | | | | | | | | | | | | | | | | | | | | | | | |
| 15R | 15 | | | | | | | | | | | | | | | | | | | | | | | | | | | | | | | | | | | | | |
| 20R | 20 | | | | | | | | | | | | | | | | | | | | | | | | | | | | | | | | | | | | | |
| 25R | 25 | | | | | | | | | | | | | | | | | | | | | | | | | | | | | | | | | | | | | |
| 30R | 30 | | | | | | | | | | | | | | | | | | | | | | | | | | | | | | | | | | | | | |

Design and specifications presented here are for the standard parts only. Please kindly contact us for your special requests and ask for the current technical specifications before purchase and/or use.

[Back to top](#)